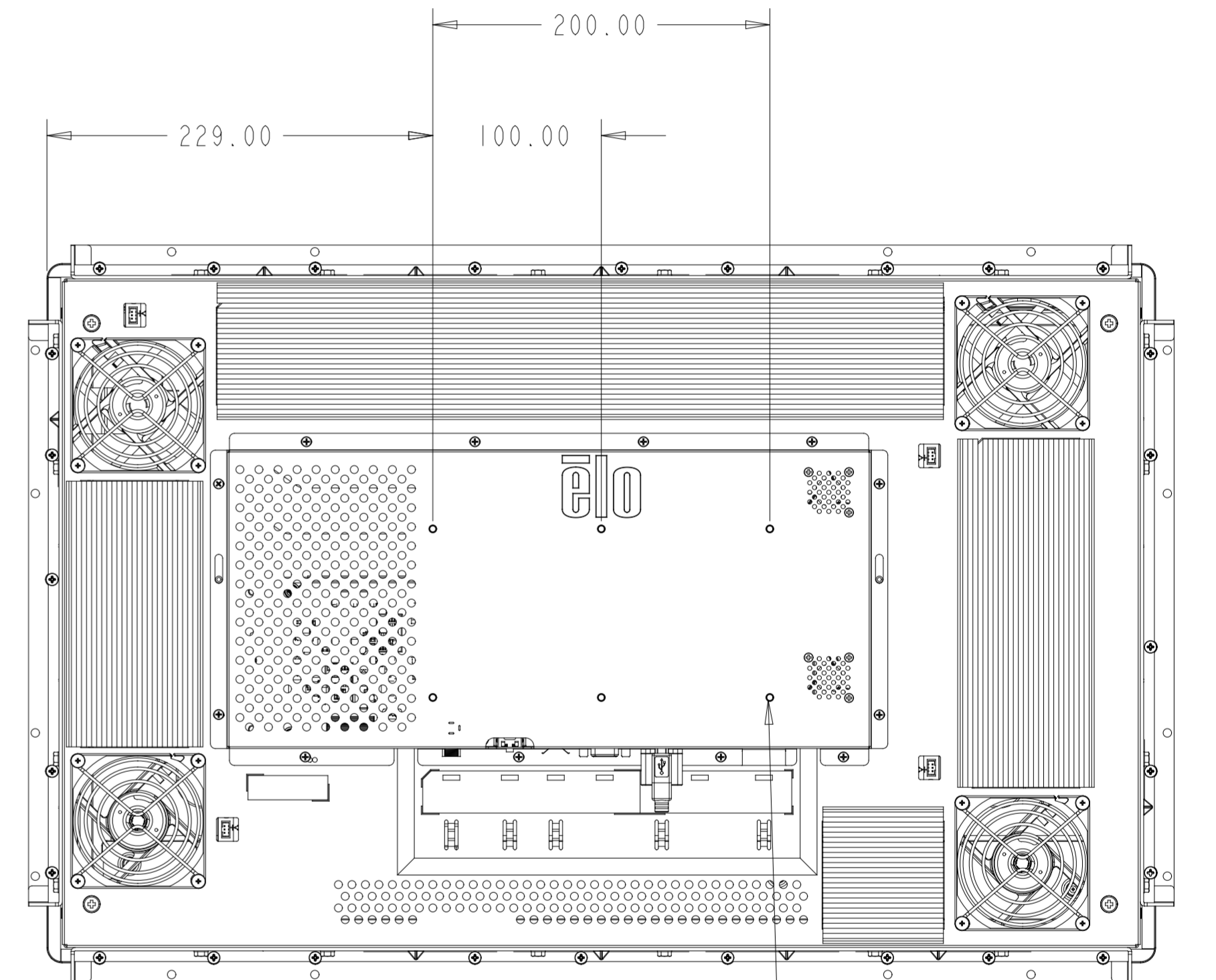
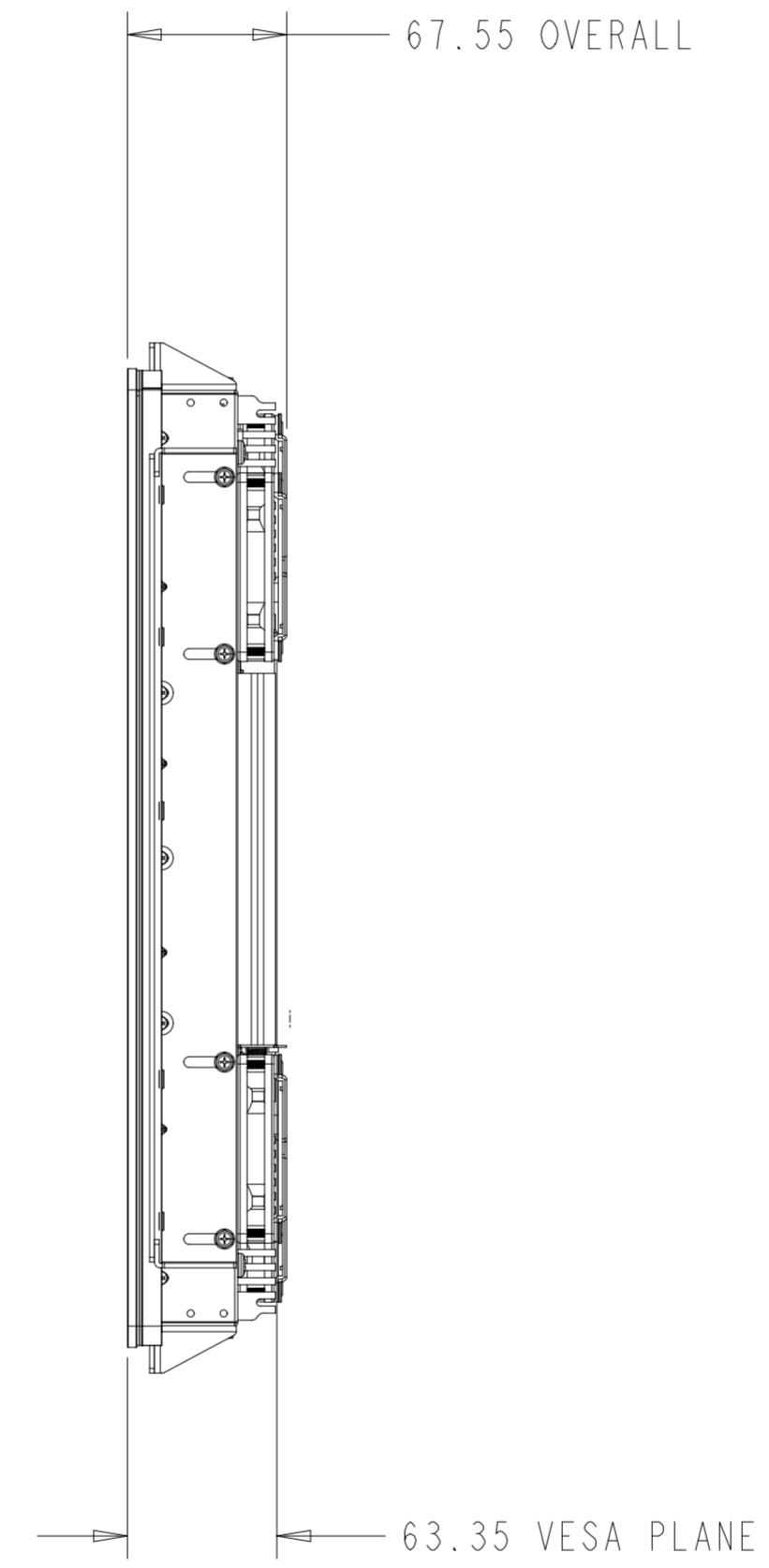
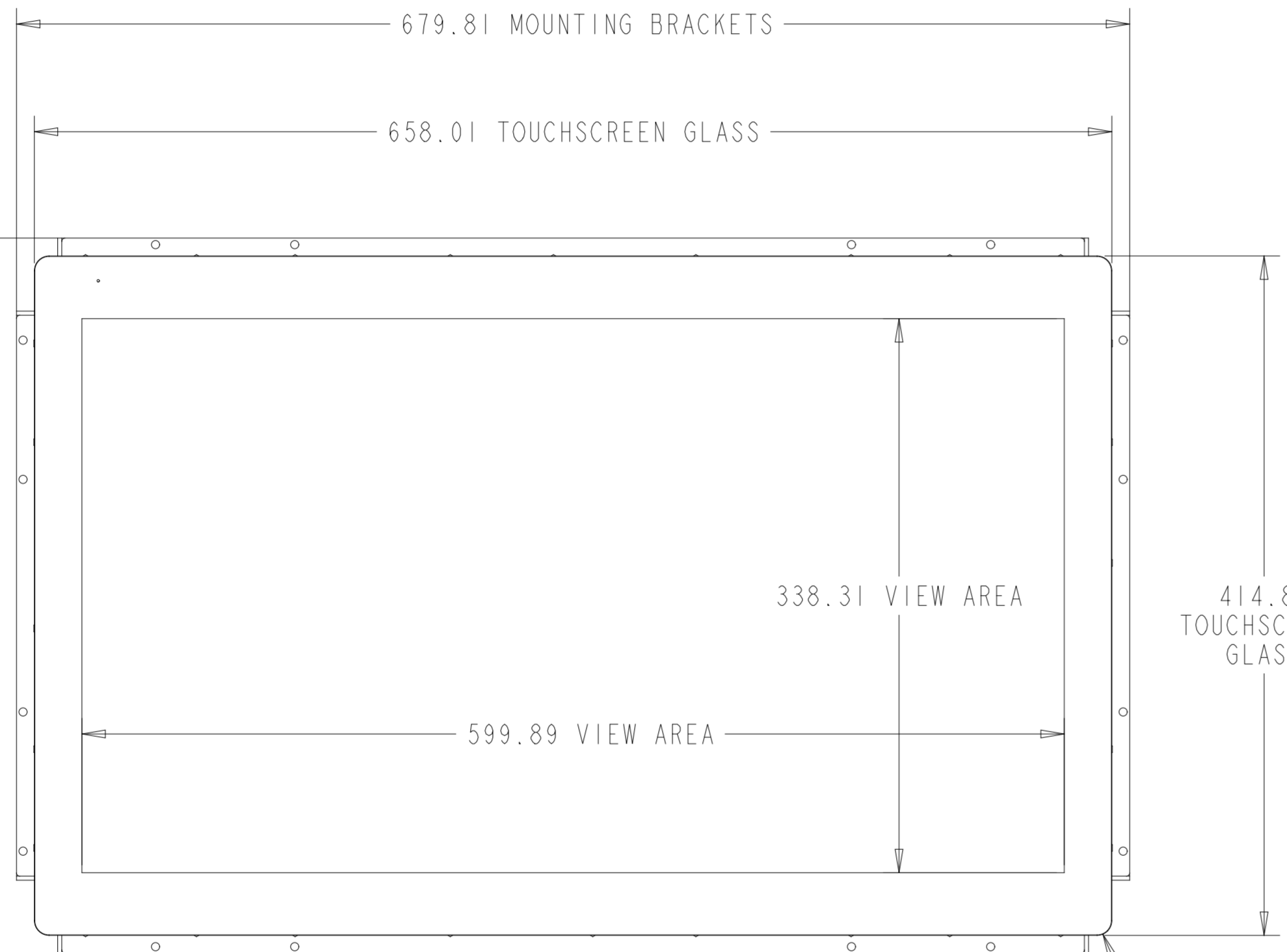
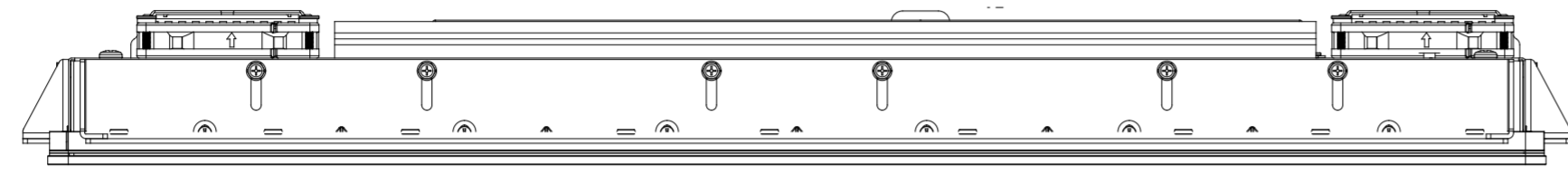
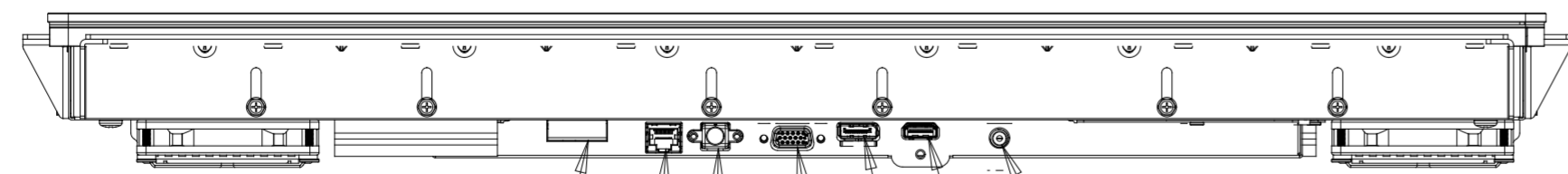


TITLE: 2799L OUTDOOR OPEN FRAME



200x100 MOUNTING
PER VESA MIS-E,C
M4x0.7 THREADS
MAX SCREW DEPTH = 8mm
(MEASURED FROM VESA PLANE)



- GPIO CONTROL
- OSD REMOTE
- USB-B (TOUCH)
- VGA IN
- DISPLAYPORT IN
- HDMI IN (LOCKING)
- 12V/24V DC POWER IN (LOCKING)

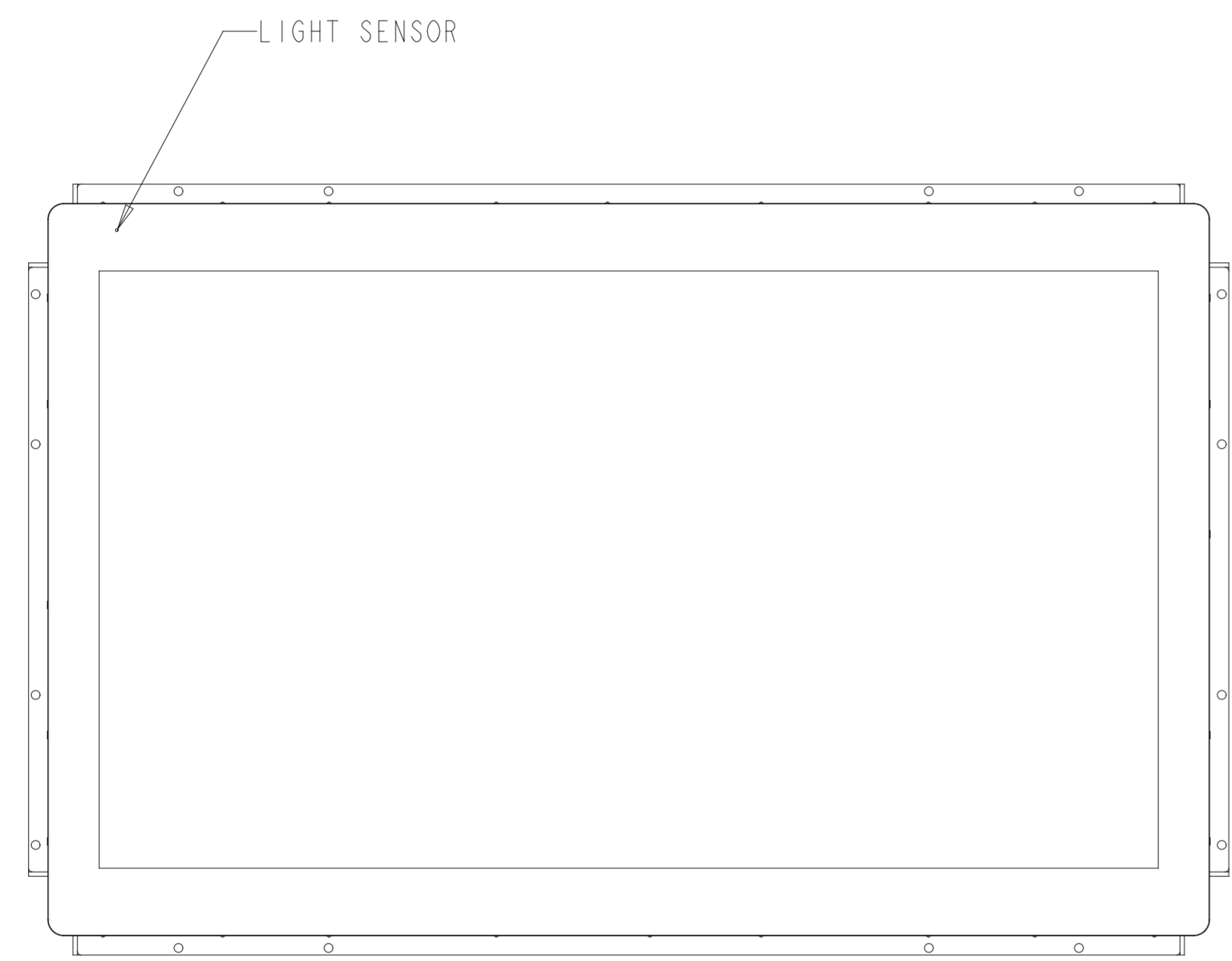
DIMENSIONS ARE IN MILLIMETERS

elo

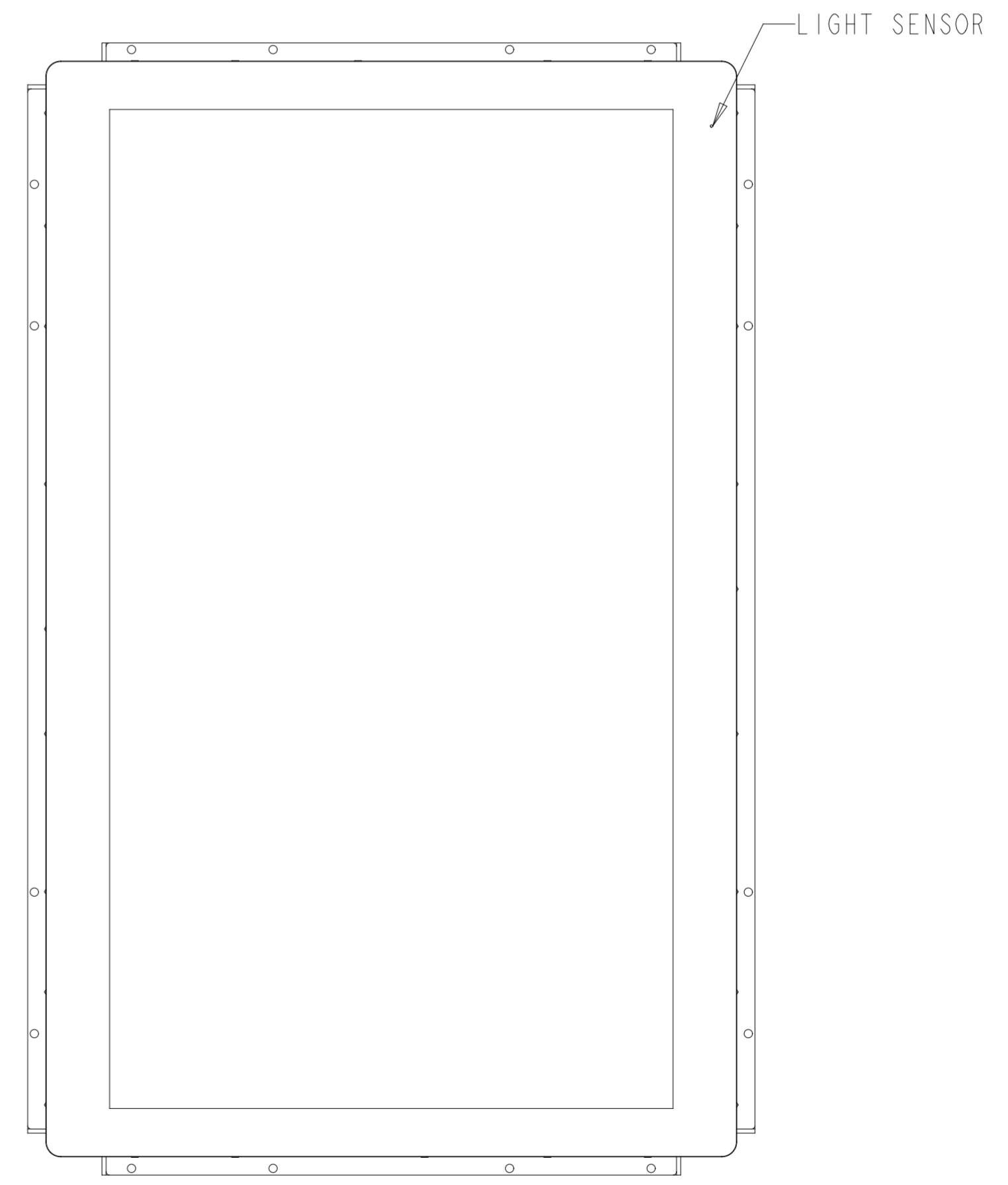
MS602736
DATE: 03/16/2023
REV: B

RECOMMENDED MOUNTING ORIENTATION
NOTE: THE AMBIENT LIGHT SENSOR MAY NOT FUNCTION PROPERLY IF THE PRODUCT IS NOT MOUNTED AS RECOMMENDED.

LANDSCAPE

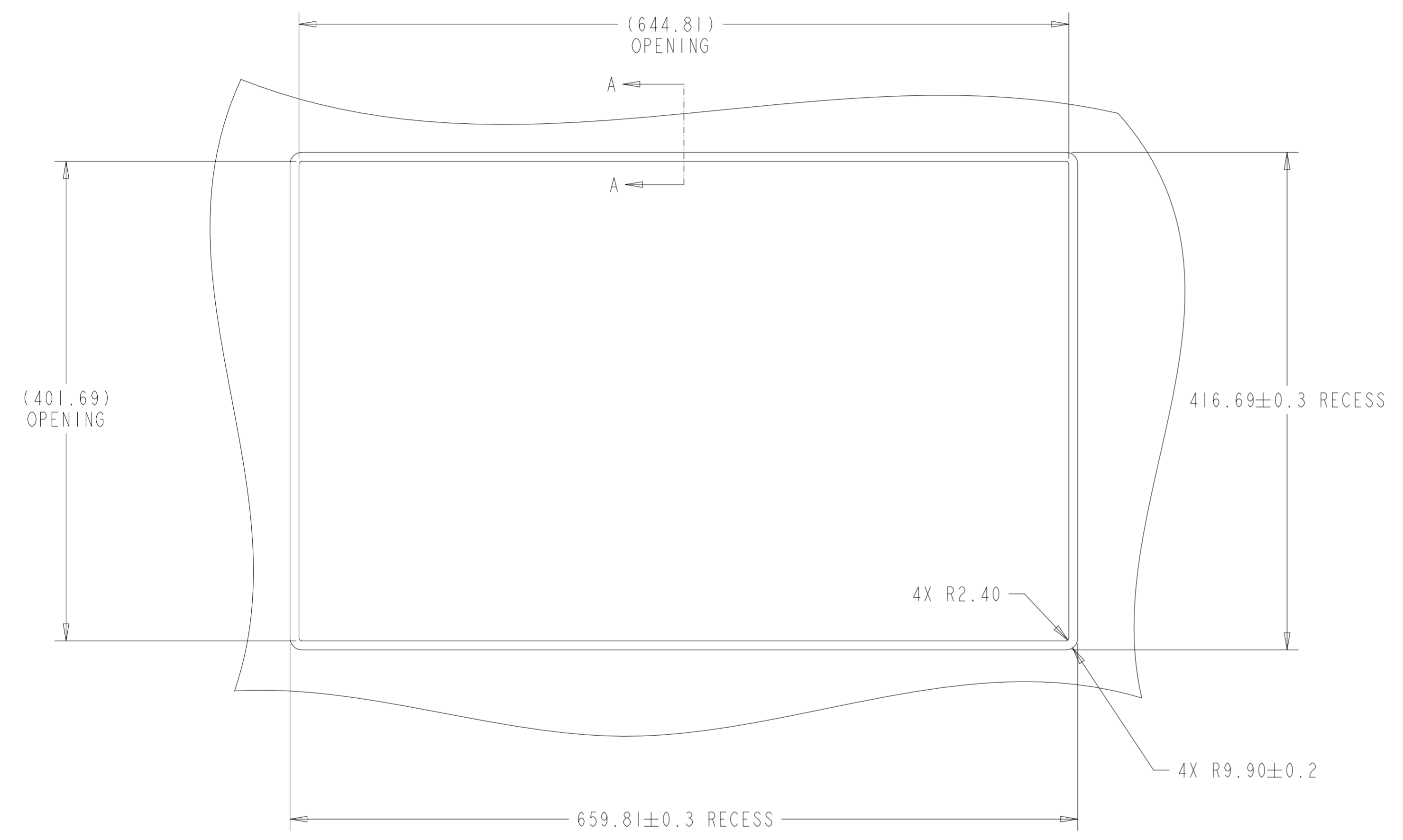


PORTRAIT

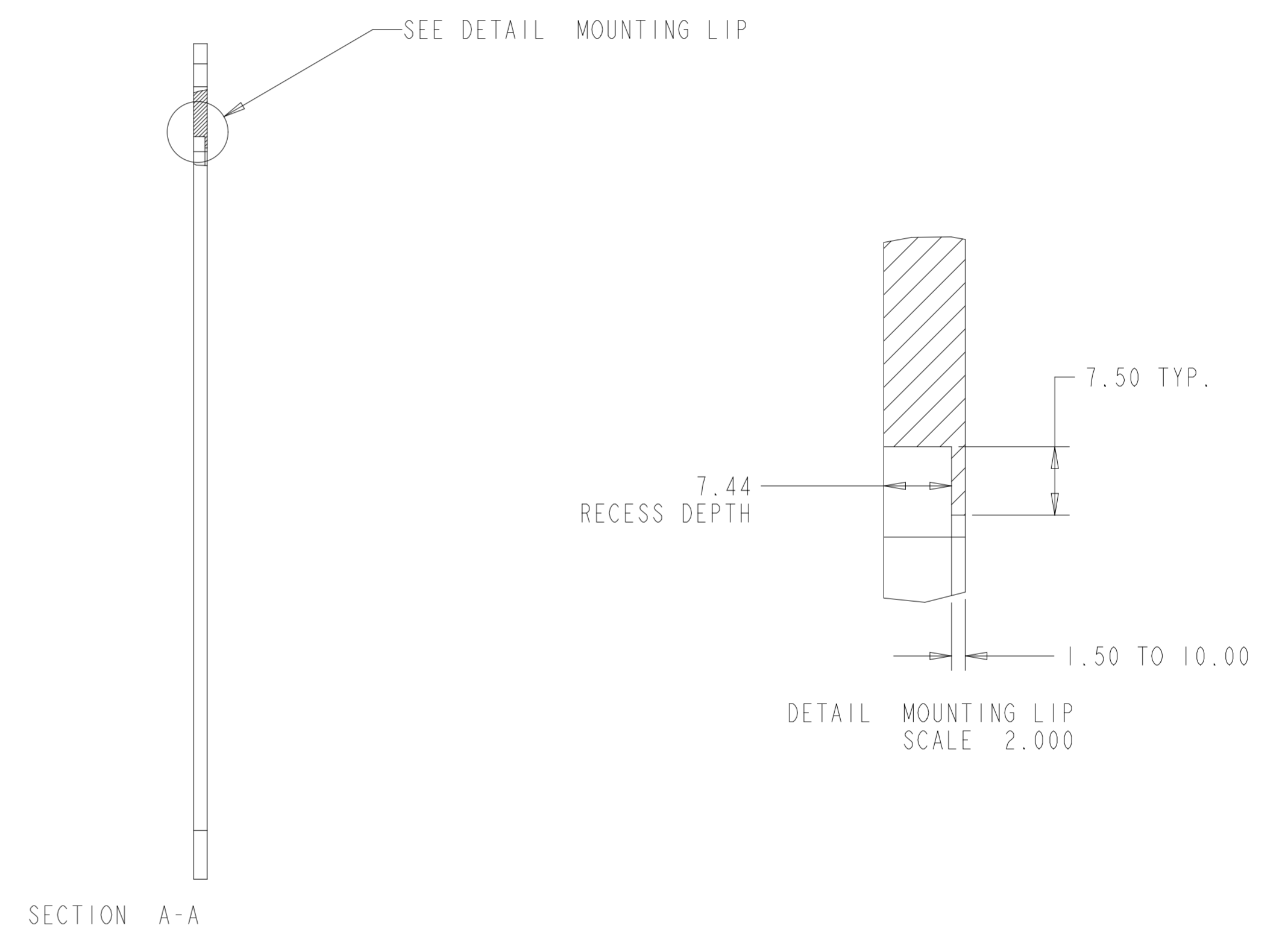


CUSTOMER RECOMMENDED MOUNTING GEOMETRY

FRONT VIEW



SIDE VIEW



FLUSH-MOUNT BRACKET INSTALLATION NOTES:

1. PLACE THE DISPLAY INTO THE ENCLOSURE PANEL OPENING (SEE SHEET 3 FOR DETAILS OF OPENING DIMENSIONS).

2. ATTACH FLUSH MOUNTING BRACKETS ON ALL FOUR SIDES OF DISPLAY WITH HEX HEAD M4x5 BRACKET SCREWS TO SECURE THE DISPLAY TO THE ENCLOSURE PANEL. ADJUST THE DISPLAY AS CLOSE AS POSSIBLE TO FLUSH WITH THE FRONT OF THE ENCLOSURE PANEL BEFORE TIGHTENING M4 BRACKET SCREWS. A SOCKET WRENCH IS RECOMMENDED IF CLEARANCE IS LIMITED.

3. TIGHTNE THE M4x6 CLAMPING SCREWS ON THE MOUNTING BRACKETS TO BRING THE TOUCHSCREEN GLASS COMPLETELY FLUSH WITH THE ENCLOSURE PANEL, COMPRESSIONG THE SEALING GASKET, AND ENSURING A WATERTIGHT SEAL TO IP66 AND NEMA4X STANDARDS.

